

T807/808 PCB Layout
Top Side
220-01183-05

T807 Parts List (IPN 220-01183-07)

How To Use This Parts List

The components listed in this parts list are divided into two main types: those with a circuit reference (e.g. C2, D1, R121, etc) and those without (miscellaneous and mechanical). Static sensitive devices are prefixed with (S).

Those with a circuit reference are grouped by component type in numerical order. Each component entry comprises three or four columns: the circuit reference, variant number (if applicable), IPN and description. A number in the variant column indicates that this component is fitted only to that variant.

The miscellaneous and mechanical section lists the parts in IPN order and where possible the legend indicates their position on the exploded view.

Parts List Amendments

C104	Changed from 011-54100-01 (63V) to 011-04100-02 (50V) due to new board design (97/04-7072).
R17 & R19	Two ferrite beads to be placed (065-00010-04) - not previously included (96/10-7175).
R83 & R84	Ferrite beads to be placed (065-00010-04) - not previously included (96/10-7175).
R99	Part 030-54100-20 not used (97/04-7091).

Important mechanical assembly changes to this issue are as follows:

307-02044-00	Add Series II guide rail.
308-01007-01	Add Series II handle.
316-06623-00	Add Series II front panel.
316-21176-02	Rear panel changed from 316-21176-02 to -03 - incorrect IPN in previous issue (96/10-7178).
319-01189-01	Filter shield changed from 319-01189-01 to -02 - new filter shield (750018).
349-00020-07	Delete screw 4-40 x 5/16 Pan Pozi Taptite black - not required in Series II.

Ref	Var	IPN	Description	Ref	Var	IPN	Description
C1		010-04470-09	CAP CERAMIC 4N7 +-20% 250VAC APPROVED	D13		008-00014-73	(S) LED HLMPS050 GREEN RT ANGLE PCB MTG
C2		010-04470-09	CAP CERAMIC 4N7 +-20% 250VAC APPROVED	D14		001-00012-23	(S) DIODE BYV26C 1A/400V FAST SWITCH
C3		022-06680-04	CAP MYLAR 680N +- 20% 250VAC APPROVED	*D15		001-00012-27	(S) DIODE BYV28-200 3.5A/200V FAST SWITCH
C4		022-06680-04	CAP MYLAR 680N +- 20% 250VAC APPROVED	*D18		001-00012-27	(S) DIODE BYV28-200 3.5A/200V FAST SWITCH
C5		010-04470-09	CAP CERAMIC 4N7 +-20% 250VAC APPROVED	D19		001-00012-23	(S) DIODE BYV26C 1A/400V FAST SWITCH
C5A		010-04470-09	CAP CERAMIC 4N7 +-20% 250VAC APPROVED	D20		001-50012-05	(S) DIODE AI 1N4531 SI SMALL SIG
C6		010-04470-09	CAP CERAMIC 4N7 +-20% 250VAC APPROVED	D21		001-50012-05	(S) DIODE AI 1N4531 SI SMALL SIG
C6A		010-04470-09	CAP CERAMIC 4N7 +-20% 250VAC APPROVED	D22		001-00013-40	(S) DIODE SCHOTTKY BAT85 0.2A/30V
*C9		021-09390-00	CAP 390UF ELECT 200V 105D 25DIAX40 10MMLS	D23		008-00014-74	(S) LED HLMPS030 RED RT ANGLE PCB MTG
*C10		021-09390-00	CAP 390UF ELECT 200V 105D 25DIAX40 10MMLS	D24		001-00011-70	(S) DIODE 1N4001 1A/50V
*C11		021-09390-00	CAP 390UF ELECT 200V 105D 25DIAX40 10MMLS	D25		001-00011-70	(S) DIODE 1N4001 1A/50V
*C12		021-09390-00	CAP 390UF ELECT 200V 105D 25DIAX40 10MMLS	D26		001-00011-70	(S) DIODE 1N4001 1A/50V
*C13		024-06680-08	CAP POLYPR AXIAL 680N 20% 250VDC	D27		001-00011-70	(S) DIODE 1N4001 1A/50V
*C14		024-06680-08	CAP POLYPR AXIAL 680N 20% 250VDC	D30		001-00011-70	(S) DIODE 1N4001 1A/50V
*C15		010-03220-03	CAP CER 220P 10% T/C B 6KV	D31		001-00015-19	(S) DIODE ZENER 5V6 0.4W 2% BZX79/B5V6
C16		025-07100-01	CAP TANT BEAD 1M 35V	D32		008-00014-74	(S) LED HLMPS030 RED RT ANGLE PCB MTG
C17		011-53470-02	CAP CER AI 470P 10% T/C B 63V	D36		001-50012-05	(S) DIODE AI 1N4531 SI SMALL SIG
C18		011-03680-01	CAP CER 680P 10% N1K5 50/63V	D37		001-50012-05	(S) DIODE AI 1N4531 SI SMALL SIG
C19		019-55100-01	CAP MONOLITHIC AI 10N 5% COG 50V	D38		001-50012-05	(S) DIODE AI 1N4531 SI SMALL SIG
C20		010-04100-04	CAP CER 1N 10% T/C B 400V	D41		001-50012-05	(S) DIODE AI 1N4531 SI SMALL SIG
C21		022-55470-10	CAP MYLAR AI 47N 5% 63V POTTED	D43		001-00011-45	(S) DIODE DUAL 30A/90V 30CPQ90
C22		022-55470-10	CAP MYLAR AI 47N 5% 63V POTTED				
C23		020-08470-07	CAP ELECT RADL 47M 16V 8X11.5MM HI TEMP	*F1		265-00010-51	FUSE 5.0A 250V SLOW BLOW 5X20
C24		020-07100-04	CAP ELECT RADL 1M 63V 8X12MM HI TEMP	FC1		340-00010-07	FUSE CLIP PCB MTG 5MM FUSE
C25		025-08100-03	CAP 10M 35V 20% TANT 5MM L/S	FC2		340-00010-07	FUSE CLIP PCB MTG 5MM FUSE
C26		011-54100-01	CAP CER AI 1N 10% T/C B 63V	IC1		002-00012-40	(S) IC 358 DUAL OP AMP
C27		011-54100-01	CAP CER AI 1N 10% T/C B 63V	IC2		002-00010-81	(S) IC 7815 +15V 1AMP TO -220 3PIN
C31		011-54100-01	CAP CER AI 1N 10% T/C B 63V	IC3		002-00012-40	(S) IC 358 DUAL OP AMP
C32		011-54100-01	CAP CER AI 1N 10% T/C B 63V	IC4		002-00016-61	(S) IC 3525A SMPS CTRL
C33		019-05470-00	CAP MONOLITHIC CER 47N 10% 50V X7R	IC5		002-00010-75	(S) IC TSC426 DRIVER INVERTING MOSFET 8PIN
C34		025-08100-03	CAP 10M 35V 20% TANT 5MM L/S	IC6		002-00010-75	(S) IC TSC426 DRIVER INVERTING MOSFET 8PIN
C35		011-54100-01	CAP CER AI 1N 10% T/C B 63V	IC7		002-00020-58	(S) IC CNX62A OPTOCOUPLER 250VAC APPROVD
C37		020-19220-04	CAP 2200M ELEC 35V 16X35 L ESR	IC8		002-00014-15	(S) IC TL431 SHUNT REG TO-92
C38		019-05470-00	CAP MONOLITHIC CER 47N 10% 50V X7R				
C39		019-05470-00	CAP MONOLITHIC CER 47N 10% 50V X7R	L1		056-00010-50	CHOKO 16UH +-20% DIFF MODE
C42		011-54100-01	CAP CER AI 1N 10% T/C B 63V	L1A		056-00010-50	CHOKO 16UH +-20% DIFF MODE
C43		011-54100-01	CAP CER AI 1N 10% T/C B 63V	L2		056-00010-36	CHOKO FLTR 0.5MH COMM MODE
C44		025-07100-01	CAP TANT BEAD 1M 35V	L3		056-00021-20	IND FXD 2MH 5AMP TOROIDAL
C45		011-54100-01	CAP CER AI 1N 10% T/C B 63V	L4		065-00010-11	BEAD FERRITE 4S3 3*1*4MM RED
C46		011-54100-01	CAP CER AI 1N 10% T/C B 63V	L5		065-00010-11	BEAD FERRITE 4S3 3*1*4MM RED
C49		019-05470-00	CAP MONOLITHIC CER 47N 10% 50V X7R	L6		069-00010-29	TOROID CORE FERRITE TN14/9/5 4A11 x5
C50		025-08100-03	CAP 10M 35V 20% TANT 5MM L/S	L7		065-00010-11	BEAD FERRITE 4S3 3*1*4MM RED
C51		010-04100-04	CAP CER 1N 10% T/C B 400V	L8		065-00010-11	BEAD FERRITE 4S3 3*1*4MM RED
C54		011-54100-01	CAP CER AI 1N 10% T/C B 63V	L9		065-00010-04	BEAD FERRITE F8 4X2X5MM
C55		019-05470-00	CAP MONOLITHIC CER 47N 10% 50V X7R	L10		065-00010-04	BEAD FERRITE F8 4X2X5MM
C56		025-08100-03	CAP 10M 35V 20% TANT 5MM L/S	L12		065-00010-08	BEAD FERRITE 4S3 3*0.7*10MM RED
C57		025-08100-03	CAP 10M 35V 20% TANT 5MM L/S	L13		065-00010-08	BEAD FERRITE 4S3 3*0.7*10MM RED
C59		011-54100-01	CAP CER AI 1N 10% T/C B 63V	L14		065-00010-08	BEAD FERRITE 4S3 3*0.7*10MM RED
C60		017-15470-01	CAP CER SURFACE BARRIER 47N 20% 50V	L15		065-00010-08	BEAD FERRITE 4S3 3*0.7*10MM RED
C61		025-08100-03	CAP 10M 35V 20% TANT 5MM L/S				
C62		019-05470-00	CAP MONOLITHIC CER 47N 10% 50V X7R				
C63		022-57100-02	CAP MYLAR AI 1M 20% 50V POTTED				
C65		020-09470-07	CAP 470M 16V 20% ELEC VERT 8*20 3.5MM L/S LO-ESR				
C66		024-14470-01	CAP METAL POLYPR RADL 4N7 10% 400VAC				
C67		024-14470-01	CAP METAL POLYPR RADL 4N7 10% 400VAC				
*C68		020-19220-02	CAP ELECT RAD 2200M 16V 12.5X30MM LO ESR				
*C69		020-19220-02	CAP ELECT RAD 2200M 16V 12.5X30MM LO ESR				
*C70		020-19220-02	CAP ELECT RAD 2200M 16V 12.5X30MM LO ESR				
*C71		020-19220-02	CAP ELECT RAD 2200M 16V 12.5X30MM LO ESR				
*C72		020-19220-02	CAP ELECT RAD 2200M 16V 12.5X30MM LO ESR				
*C73		020-19220-02	CAP ELECT RAD 2200M 16V 12.5X30MM LO ESR	*Q1		000-00012-63	(S) XSTR MTP4N50 PWR MOSFET 500V TO220
C74		022-05470-04	CAP MYLAR 47N +-20% 250VAC APPROVED	*Q2		000-00012-63	(S) XSTR MTP4N50 PWR MOSFET 500V TO220
C75		022-05470-04	CAP MYLAR 47N +-20% 250VAC APPROVED	Q3		000-50011-30	(S) XSTR AI BC557B PNP TO-92 AF S/SIG
C78		020-09820-01	CAP 820M 16V ELECT 10X25MM	Q4		000-50011-10	(S) XSTR AI BC547B NPN TO-92 AF S/SIG
C79		015-25100-08	CAP CER 0805 CHIP 10N 10% X7R 50V	Q6		000-00010-66	(S) XSTR BC337 NPN AF PWR TO92
C80		010-05100-09	CAP CER 10N +-20% 250VAC RATED	Q7		000-50011-30	(S) XSTR AI BC557B PNP TO-92 AF S/SIG
C81		010-05100-09	CAP CER 10N +-20% 250VAC RATED	Q8		000-50011-30	(S) XSTR AI BC557B PNP TO-92 AF S/SIG
C82		010-04100-04	CAP CER 1N 10% T/C B 400V	Q9		000-00010-66	(S) XSTR BC337 NPN AF PWR TO92
C83		015-06100-08	CAP CER 1206 CHIP 100N 10% X7R 50V	Q10		000-50011-10	(S) XSTR AI BC547B NPN TO-92 AF S/SIG
C84		019-05470-00	CAP MONOLITHIC CER 47N 10% 50V X7R	Q11		000-50011-10	(S) XSTR AI BC547B NPN TO-92 AF S/SIG
C85		011-52330-01	CAP CER AI 33P 5% N150 50/63V	Q12		000-50011-10	(S) XSTR AI BC547B NPN TO-92 AF S/SIG
C86		022-54100-10	CAP MYLAR AI 1N 5% 63V POTTED	Q13		000-50011-10	(S) XSTR AI BC547B NPN TO-92 AF S/SIG
C87		022-54220-10	CAP MYLAR AI 2N2 5% 63V POTTED	R1		030-08100-31	RES M/F 10M 3.5KV VR37 10*4MM
C88		022-55470-10	CAP MYLAR AI 47N 5% 63V POTTED	R2		049-00275-40	VARISTOR 275V AC 140JOULES 20MM DIA.
C89		011-52220-01	CAP CER AI 22P 5% N150 50/63V	R3		035-02100-93	RES WIRE WOUND 10E 5W 19X8MM
C90		010-04100-04	CAP CER 1N 10% T/C B 400V	R4		032-35470-00	RES M/F PWR 47K 5% 1W 12X4.5MM
C91		010-04100-04	CAP CER 1N 10% T/C B 400V	R5		030-56270-20	RES FILM AI 270K 5% 0.4W 4X1.6MM
C92		010-04220-09	CAP CER 2N2 10% 250VAC APPROVED	R6		030-56390-20	RES FILM AI 390K 5% 0.4W 4X1.6MM
C93		010-04220-09	CAP CER 2N2 10% 250VAC APPROVED	R7		032-35470-00	RES M/F PWR 47K 5% 1W 12X4.5MM
C95		011-54100-01	CAP CER AI 1N 10% T/C B 63V	R8		030-55680-20	RES FILM AI 68K 5% 0.4W 4X1.6MM
C96		022-56100-10	CAP MYLAR AI 100N 5% 63V POTTED	R9		030-55470-20	RES FILM AI 47K 5% 0.4W 4X1.6MM
C98		025-08100-03	CAP 10M 35V 20% TANT 5MM L/S	R11		032-33100-02	RES M/F PWR 100E 5% 6W 33X9MM
C99		011-52220-01	CAP CER AI 22P 5% N150 50/63V	*R12		030-53180-20	RES FILM AI 180E 5% 0.4W 4X1.6MM
C100		011-03100-06	CAP CER 100P 5% N750 50/63V	R13A		030-52680-20	RES FILM AI 68E 5% 0.4W 4X1.6MM
C102		010-03220-09	CAP CER 220P +-10% 250 VAC APPROVED	R13B		030-54150-20	RES FILM AI 1K5 5% 0.4W 4X1.6MM
C104		011-54100-01	CAP CER AI 1N 10% T/C B 63V	R14		030-54150-20	RES FILM AI 1K5 5% 0.4W 4X1.6MM
D1		001-00012-30	(S) DIODE 6A6 MR 756 BY214-600 6A/600V	R17		030-52220-20	RES FILM AI 22E 5% 0.4W 4X1.6MM
D2		001-00012-30	(S) DIODE 6A6 MR 756 BY214-600 6A/600V	R18		030-54120-20	RES FILM AI 1K2 5% 0.4W 4X1.6MM
D3		001-00012-30	(S) DIODE 6A6 MR 756 BY214-600 6A/600V	R19		030-52220-20	RES FILM AI 22E 5% 0.4W 4X1.6MM
D4		001-00012-30	(S) DIODE 6A6 MR 756 BY214-600 6A/600V	R20		030-54120-20	RES FILM AI 1K2 5% 0.4W 4X1.6MM
D5		001-50012-05	(S) DIODE AI 1N4531 SI SMALL SIG	R24		030-54120-20	RES FILM AI 1K2 5% 0.4W 4X1.6MM
D6		001-50012-05	(S) DIODE AI 1N4531 SI SMALL SIG	RV25		042-03470-06	RES PRESET 470E CARBON 6MM FLAT
D7		001-50012-05	(S) DIODE AI 1N4531 SI SMALL SIG	R26		030-53680-20	RES FILM AI 680E 5% 0.4W 4X1.6MM
D8		001-50012-05	(S) DIODE AI 1N4531 SI SMALL SIG	R27		030-54180-20	RES FILM AI 1K8 5% 0.4W 4X1.6MM
D11		001-50012-05	(S) DIODE AI 1N4531 SI SMALL SIG	R28		030-53820-20	RES FILM AI 820E 5% 0.4W 4X1.6MM
D12		001-50012-05	(S) DIODE AI 1N4531 SI SMALL SIG	R29		030-54270-20	RES FILM AI 2K7 5% 0.4W 4X1.6MM

Note: Fit L4 & L5 On Leads Of C20
Fit L7 & L8 On Leads Of C51
Fit L9 Over Body Of R17
Fit L10 Over Body Of R19
Fit L12 & L13 On Leads Of R83
Fit L14 & L15 On Leads Of R84

Ref	Var	IPN	Description	Ref	Var	IPN	Description
R30		030-55100-20	RES FILM AI 10K 5% 0.4W 4X1.6MM				
R32		030-56100-20	RES FILM AI 100K 5% 0.4W 4X1.6MM				
R33		030-54100-20	RES FILM AI 1K 5% 0.4W 4X1.6MM				
R34		030-55100-20	RES FILM AI 10K 5% 0.4W 4X1.6MM				
R35		030-55100-20	RES FILM AI 10K 5% 0.4W 4X1.6MM				
R36		030-55150-20	RES FILM AI 15K 5% 0.4W 4X1.6MM				
R37		030-57100-20	RES FILM AI 1M 5% 0.4W 4X1.6MM				
R38		030-55100-20	RES FILM AI 10K 5% 0.4W 4X1.6MM				
R39		030-54390-20	RES FILM AI 3K9 5% 0.4W 4X1.6MM				
R40		030-54820-20	RES FILM AI 8K2 5% 0.4W 4X1.6MM				
R41		030-54680-20	RES FILM AI 6K8 5% 0.4W 4X1.6MM				
R43		030-55470-20	RES FILM AI 47K 5% 0.4W 4X1.6MM				
R44		030-55100-20	RES FILM AI 10K 5% 0.4W 4X1.6MM				
R45		030-56100-20	RES FILM AI 100K 5% 0.4W 4X1.6MM				
R46		030-55100-20	RES FILM AI 10K 5% 0.4W 4X1.6MM				
R47		030-52220-20	RES FILM AI 22E 5% 0.4W 4X1.6MM				
R48		030-55150-20	RES FILM AI 15K 5% 0.4W 4X1.6MM				
R49		049-00140-10	VARISTOR 140VRMS 180VDC 42 JOULES				
R50		030-54220-20	RES FILM AI 2K2 5% 0.4W 4X1.6MM				
R51		030-55100-20	RES FILM AI 10K 5% 0.4W 4X1.6MM				
R52		030-56180-20	RES FILM AI 180K 5% 0.4W 4X1.6MM				
R53		030-55330-20	RES FILM AI 33K 5% 0.4W 4X1.6MM				
R54B		030-55330-20	RES FILM AI 33K 5% 0.4W 4X1.6MM				
R55		045-05100-01	RES NTC 10K 5% 5MM DISC				
R56		030-55100-20	RES FILM AI 10K 5% 0.4W 4X1.6MM				
R57		030-55270-20	RES FILM AI 27K 5% 0.4W 4X1.6MM				
R58		030-55100-20	RES FILM AI 10K 5% 0.4W 4X1.6MM				
R59		030-57100-20	RES FILM AI 1M 5% 0.4W 4X1.6MM				
R60		030-55100-20	RES FILM AI 10K 5% 0.4W 4X1.6MM				
R61		030-57100-20	RES FILM AI 1M 5% 0.4W 4X1.6MM				
R62		030-54680-20	RES FILM AI 6K8 5% 0.4W 4X1.6MM				
R63		030-52330-20	RES FILM AI 33E 5% 0.4W 4X1.6MM				
R64		030-52220-20	RES FILM AI 22E 5% 0.4W 4X1.6MM				
R65		030-54150-20	RES FILM AI 1K5 5% 0.4W 4X1.6MM				
R66		030-54150-20	RES FILM AI 1K5 5% 0.4W 4X1.6MM				
R67		030-55100-20	RES FILM AI 10K 5% 0.4W 4X1.6MM				
R68		030-56100-20	RES FILM AI 100K 5% 0.4W 4X1.6MM				
R69		030-53680-20	RES FILM AI 680E 5% 0.4W 4X1.6MM				
R70		030-53270-20	RES FILM AI 270E 5% 0.4W 4X1.6MM				
R71		030-54330-20	RES FILM AI 3K3 5% 0.4W 4X1.6MM				
R72		030-52100-20	RES FILM AI 10E 5% 0.4W 4X1.6MM				
R73		030-55100-20	RES FILM AI 10K 5% 0.4W 4X1.6MM				
R74		030-54470-20	RES FILM AI 4K7 5% 0.4W 4X1.6MM				
R75		030-54470-20	RES FILM AI 4K7 5% 0.4W 4X1.6MM				
R76		030-54680-20	RES FILM AI 6K8 5% 0.4W 4X1.6MM				
R79A		032-32100-01	RES M/F PWR 10E 2.5W 17X5MM				
R79B		032-32100-01	RES M/F PWR 10E 2.5W 17X5MM				
R80		030-54100-20	RES FILM AI 1K 5% 0.4W 4X1.6MM				
R80A		030-52100-20	RES FILM AI 10E 5% 0.4W 4X1.6MM				
R80B		030-54180-20	RES FILM AI 1K8 5% 0.4W 4X1.6MM				
*R81		032-33150-01	RES M/F PWR 150E 5% 2.5W 17X5MM				
RV81		042-05100-06	RES PRESET 10K CARBON 6MM FLAT				
*R82		032-33150-01	RES M/F PWR 150E 5% 2.5W 17X5MM				
R83		030-52220-20	RES FILM AI 22E 5% 0.4W 4X1.6MM				
R84		030-52220-20	RES FILM AI 22E 5% 0.4W 4X1.6MM				
R85		030-08100-31	RES M/F 10M 3.5KV VR37 10*4MM				
R86		030-55470-20	RES FILM AI 47K 5% 0.4W 4X1.6MM				
R87		030-53100-20	RES FILM AI 100E 5% 0.4W 4X1.6MM				
R88		030-54100-20	RES FILM AI 1K 5% 0.4W 4X1.6MM				
R89		030-54470-20	RES FILM AI 4K7 5% 0.4W 4X1.6MM				
R90		030-55470-20	RES FILM AI 47K 5% 0.4W 4X1.6MM				
R91		030-54100-20	RES FILM AI 1K 5% 0.4W 4X1.6MM				
RV92		042-03470-06	RES PRESET 470E CARBON 6MM FLAT				
R93		030-53820-20	RES FILM AI 820E 5% 0.4W 4X1.6MM				
R94		030-54120-20	RES FILM AI 1K2 5% 0.4W 4X1.6MM				
R95		030-55680-20	RES FILM AI 68K 5% 0.4W 4X1.6MM				
R96		030-54680-20	RES FILM AI 6K8 5% 0.4W 4X1.6MM				
R98		030-55100-20	RES FILM AI 10K 5% 0.4W 4X1.6MM				
R99		030-54100-20	RES FILM AI 1K 5% 0.4W 4X1.6MM				
R100		030-55560-20	RES FILM AI 56K 5% 0.4W 4X1.6MM				
R101		030-55560-20	RES FILM AI 56K 5% 0.4W 4X1.6MM				
R102		030-56470-20	RES FILM AI 470K 5% 0.4W 4X1.6MM				
R103		030-55560-20	RES FILM AI 56K 5% 0.4W 4X1.6MM				
R104		030-55100-20	RES FILM AI 10K 5% 0.4W 4X1.6MM				
R105		030-54100-20	RES FILM AI 1K 5% 0.4W 4X1.6MM				
R106		030-53100-20	RES FILM AI 100E 5% 0.4W 4X1.6MM				
R107		030-53100-20	RES FILM AI 100E 5% 0.4W 4X1.6MM				
RLY1		237-00010-30	RELAY 12V COIL 240V 10A SPDT				
SW1		233-00010-07	SWITCH DPDT 115/230V 6PIN				
SW2		232-00020-28	PUSH SWITCH PCB MTG				
SK-3		240-00010-23	PLUG 3 PIN 10AMP 250V PCB MTG				
SK-4		240-04030-06	TRMNL BLOCK 1WAY PC MT PHOENIX				
SK-5		240-04030-06	TRMNL BLOCK 1WAY PC MT PHOENIX				
SK-6		240-04030-07	TERML BLK PCB MTG 1WAY FRT 2.5H/SA10				
SK-7		240-04030-07	TERML BLK PCB MTG 1WAY FRT 2.5H/SA10				
SK-8		240-04030-07	TERML BLK PCB MTG 1WAY FRT 2.5H/SA10				
T1		053-00010-58	XFMR T4073 T807/808 SWITCHING				
T2		053-00010-59	XFMR T4074 T807/808 CURRENT SENSE				
T3		053-01060-02	XFMR T4075 T807/808 MOSFET DRIVE				
T4		053-00010-63	XFMR T4079 MAINS 5VA 18V				
*T5		056-00010-39	CHOKO T4072 T807 DIFFNL MODE ETD39				
T6		056-00010-38	CHOKO T4071 T807-808 DIFFNL MODE				
TC1		239-00010-06	SW THERM PEPI 100C BARE TERML.C/W SLEEVE				

T807 Mechanical & Miscellaneous Parts (220-01183-07)

IPN	Legend	Description	IPN	Legend	Description
200-00010-35		WIRE T/C 1.5MM/1.4MM For L6. 35mm	352-00010-29	16	NUT M4 NYLOC HEX Handle x2
201-00051-15		WIRE APPLC 1MM ² GREEN HI TEMP PVC85 For Earth Lead	353-00010-10		WASHER M3 FLAT 7MM*0.6MM ST BZ Mounting Kit x2 (in bag)
201-00060-09		WIRE REMIT 0.8MM ² PVC WHITE For Cut Out Switch on T1	353-00010-12	17	WASHER M3 SPRING BZ OR Z/C D43 x1, Mains Socket x2, IC2 x1
209-00010-26		TAPE COPPER 19MM * 0.08MM SCOTCH 1181 For taping switch to T1	356-00020-06		RECEPTL 6.3MM QUICK CONN FLARED INS For Earth Lead
220-01183-07	1	PCB T807/T808 SMPS 2 OUNCE COPPER	356-00020-07		RECEPTL M3.5QUICK CONN M3.5 OPEN END For Earth Lead
240-02010-22		SKT MAINS 3PIN FLEX 2M/10A	356-00020-21		TAB 6.3MM RT ANGLE SPADE CAR QCK CONN PCB Mounted Earth Connector
240-06010-27		BLANKING PLATE 2.5MM GREEN Fitted to SK-8	362-00010-13	18	BUSH INSULATING 1.1MM TOP HAT D43 Mounting x1
302-05228-01		BRACKET TRANSFORMER MTG T807/808 T4 x1	362-01024-00	19	INSULATOR 54*30 AS PER DRWG A4M2431 Q1/Q2 x1, D43 x1
303-23128-02	2	COVR SIDE A2M2403/2 T807/808 COMP SCRNR	362-01052-00	20	XSTR CLAMPING BRKT T807/808 A4M2407 Bracing bracket for Q1 & Q2 x1
306-01010-00	3	FERRULE A4M948 HANDLE FXD EQUIP Place on Handle x2	365-00011-54		LABEL WHITE RW 1556/2 90X24MM SPEC AD For outside of box
307-02029-00		GUIDE REAR T807/808 A3M2409 Packed in box x2	365-00013-59		LABEL T807/808 HI VOLT WARNING A4A651
308-01007-00	4	HANDLE A4M949 FXD EQUIP Front Panel	365-00100-05		LABEL BLANK 50X9MM S/A METLSD POLYES Mounting Kit x1 (in bag) NB/ Label is to be placed over top of screened version on panel if power supply is to be 115 Volts
308-13088-00		HSINK CLIP ON 14 OR 16 DIP INT CCTS ICs 4, 5 & 6	365-01391-01		LABEL BLNK 30X10.8MM TAMPERMARK VOID Ser No x1, Job No x1, Rev No x1 & Elec Insp x1
308-13091-00		HSINK PCB MTG TO-220 IC2 mounting to PCB	365-01500-00		LABEL CE CONFORMITY 12*24MM
311-00010-39		KNOB RED PLASTIC ROUND Pushes on to SW2	369-00020-52		TAPE ELECT INSULATION UL APPRVD 130°C For T4
316-06398-01	5	PNL FRT COMPL T807 A3M2405/2	399-00010-10		RUBBER BAND NO 33
316-21177-02	6	PNL REAR A3M2427/2 T807 COMPL SCRNR	399-00010-51		BAG PLASTIC 75*100MM For Mounting Kit
318-01018-00	7	RAIL CHASSIS T807/808 A3M2404 Attached to PCB x2	400-00020-01		SLEEVING 0.7MM SIL RUBBER For Legs of R13A, R47 & R64
319-01189-01		SHIELD T807/808 MAINS FILTER Fitted to underside of board across output	400-00020-03		SLEEVING 1MM SIL RUBBER For Legs of R3, R11, 79A, R79B, R81 & R82
319-30030-01	8	SPACER A4M1115 T807/808 Between P.C.B. & Rails x6	400-00020-05		SLEEVING 1.5MM SIL RUBBER
319-40012-00		EARTH STRAP DC T807/808 Fitted to underside of board across input	400-00020-07		SLEEVING 2MM SIL RUBBER Goes over wire on L6.
345-00040-06	9	SCREW M3*8MM PAN POZI ST BZ SK-3 x2, Mounting Kit x2 (in bag)	410-01081-00		CRTN T800 KIWI REF22860 402X192X66MM
345-00040-12		SCREW M3X10MM CSK POZI ST BZ Mounting Kit x6 (in bag)	410-01082-00		CRTN 10 T800 KIWI REF24417 423X410X360
345-00040-17	10	SCREW M3*16MM CSK POZI ST BZ D43 x1			
345-00040-24	11	SCREW M3X20MM CSK POZI ST BZ Q1/Q2 Bracing Bracket x1			
349-00020-07	12	SCREW 4-40 X 5/16 PAN POZI TAPTITE BLACK Front x4, Rear x4, Cover x4			
349-00020-08	13	SCREW TAPTITE 4-40X3/8IN CSK POZI BZ Covers to rails x16			
349-00020-34	14	SCREW M3*12 PAN POZI TAPTITE BZ P.C.B. to rails x6			
352-00010-08	15	NUT M3 COLD FORM HEX ST BZ D43 x1, Mains Socket x2, IC2 x1, Mounting Kit x2 (in bag)			

Replace pages b8.2.47/.48 with A3 foldout T807 Mechanical Assembly in file 800b84a.100

T808 Parts List (IPN 220-01183-07)

How To Use This Parts List

The components listed in this parts list are divided into two main types: those with a circuit reference (e.g. C2, D1, R121, etc) and those without (miscellaneous and mechanical). Static sensitive devices are prefixed with (S).

Those with a circuit reference are grouped by component type in numerical order. Each component entry comprises three or four columns: the circuit reference, variant number (if applicable), IPN and description. A number in the variant column indicates that this component is fitted only to that variant.

The miscellaneous and mechanical section lists the parts in IPN order and where possible the legend indicates their position on the exploded view.

Parts List Amendments

C104	Changed from 011-54100-02 (63V) to 011-04100-02 (50V) (97/04-7072).
*R17 & *R19	Changed from 10E to 22E (030-52100-20) (06/97-720005).
R17 & R19	Two ferrite beads to be placed (065-00010-04) - not previously included (96/10-7175).
R83 & R84	Ferrite beads to be placed (030-52220-20) - not previously included (96/10-7175).
R105	Changed from 1k (030-54100-20) to 1k5 (030-54150-20) to reduce amplitude of noise from noise modulator (710042).

Important mechanical assembly changes to this issue are as follows:

307-02044-00	Add Series II guide rail.
308-01007-01	Add Series II handle.
316-06623-00	Add Series II front panel.
316-21176-02	Rear panel changed from 316-21176-02 to -03 - incorrect IPN in previous issue (96/10-7178).
319-01189-01	Filter shield changed from 319-01189-01 to -02 - new filter shield (750018).
345-00040-08	Add screw M3 x 12 due to thinner fan being fitted (97/10-720025).
345-00040-19	Delete screw M3 x 25mm Pan Pozi ST BZ - not required due to thinner fan being fitted (97/10-720025).
349-00020-07	Delete screw 4-40 x 5/16 Pan Pozi Taptite black - not required in Series II.
353-00010-12	Delete washer M3 Spring BZ or Z/C - not required due to thinner fan being fitted (97/10-720025).

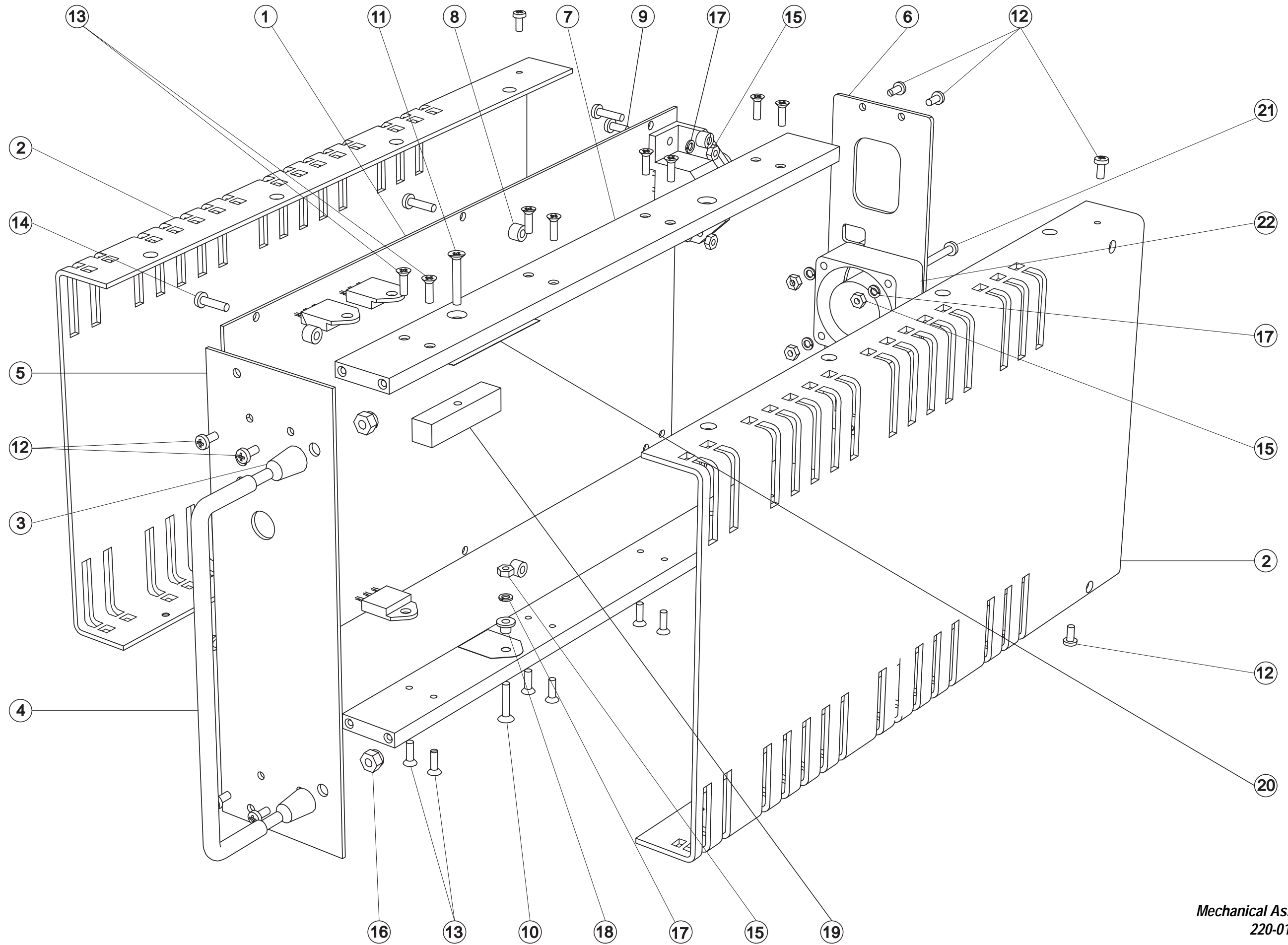
Ref	Var	IPN	Description	Ref	Var	IPN	Description
C1		010-04470-09	CAP CERAMIC 4N7 +-20% 250VAC APPROVED	D7		001-50012-05	(S) DIODE AI 1N4531 SI SMALL SIG
C2		010-04470-09	CAP CERAMIC 4N7 +-20% 250VAC APPROVED	D8		001-50012-05	(S) DIODE AI 1N4531 SI SMALL SIG
C3		022-06680-04	CAP MYLAR 680N + 20% 250VAC APPROVED	D11		001-50012-05	(S) DIODE AI 1N4531 SI SMALL SIG
C4		022-06680-04	CAP MYLAR 680N + 20% 250VAC APPROVED	D12		001-50012-05	(S) DIODE AI 1N4531 SI SMALL SIG
C5		010-04470-09	CAP CERAMIC 4N7 +-20% 250VAC APPROVED	D13		008-00014-73	(S) LED HLMP5050 GREEN RT ANGLE PCB MTG
C5A		010-04470-09	CAP CERAMIC 4N7 +-20% 250VAC APPROVED	D14		001-00012-23	(S) DIODE BYV26C 1A/400V FAST SWITCH
C6		010-04470-09	CAP CERAMIC 4N7 +-20% 250VAC APPROVED	*D15		001-00011-06	(S) DIODE MUR440 ULTRAFAST 400V 4A
C6A		010-04470-09	CAP CERAMIC 4N7 +-20% 250VAC APPROVED	*D18		001-00011-06	(S) DIODE MUR440 ULTRAFAST 400V 4A
*C9		021-09560-00	CAP 560UF ELECT 200V 105D 25DIAx40 10MML/S	D19		001-00012-23	(S) DIODE BYV26C 1A/400V FAST SWITCH
*C10		021-09560-00	CAP 560UF ELECT 200V 105D 25DIAx40 10MML/S	D20		001-50012-05	(S) DIODE AI 1N4531 SI SMALL SIG
*C11		021-09560-00	CAP 560UF ELECT 200V 105D 25DIAx40 10MML/S	D21		001-50012-05	(S) DIODE AI 1N4531 SI SMALL SIG
*C12		021-09560-00	CAP 560UF ELECT 200V 105D 25DIAx40 10MML/S	D22		001-00013-40	(S) DIODE SCHOTTKY BAT85 0.2A/30V
*C13		024-07100-00	CAP 1M 250VDC 5% POLYPROP.22.5 L/S	D23		008-00014-74	(S) LED HLMP5030 RED RT ANGLE PCB MTG
*C14		024-07100-00	CAP 1M 250VDC 5% POLYPROP.22.5 L/S	D24		001-00011-70	(S) DIODE 1N4001 1A/50V
*C15		010-03470-03	CAP 470P T/C B 10% 6KV CER 11MM DIA 10MM	D25		001-00011-70	(S) DIODE 1N4001 1A/50V
C16		025-07100-01	CAP TANT BEAD 1M 35V	D26		001-00011-70	(S) DIODE 1N4001 1A/50V
C17		011-53470-02	CAP CER AI 470P 10% T/C B 63V	D27		001-00011-70	(S) DIODE 1N4001 1A/50V
C18		011-03680-01	CAP CER 680P 10% N1K5 50/63V	D30		001-00011-70	(S) DIODE 1N4001 1A/50V
C19		019-55100-01	CAP MONOLITHIC AI 10N 5% COG 50V	D31		001-00015-19	(S) DIODE ZENER 5V6 0.4W 2% BZX79/B5V6
C20		010-04100-04	CAP CER 1N 10% T/C B 400V	D32		008-00014-74	(S) LED HLMP5030 RED RT ANGLE PCB MTG
C21		022-55470-10	CAP MYLAR AI 47N 5% 63V POTTED	D36		001-50012-05	(S) DIODE AI 1N4531 SI SMALL SIG
C22		022-55470-10	CAP MYLAR AI 47N 5% 63V POTTED	D37		001-50012-05	(S) DIODE AI 1N4531 SI SMALL SIG
C23		020-08470-07	CAP ELECT RADL 47M 16V 8X11.5MM HI TEMP	D38		001-50012-05	(S) DIODE AI 1N4531 SI SMALL SIG
C24		020-07100-04	CAP ELECT RADL 1M 63V 8X12MM HI TEMP	D41		001-50012-05	(S) DIODE AI 1N4531 SI SMALL SIG
C25		025-08100-03	CAP 10M 35V 20% TANT 5MM L/S	D43		001-00011-45	(S) DIODE DUAL 30A/90V 30CPQ90
C26		011-54100-01	CAP CER AI 1N 10% T/C B 63V				
C27		011-54100-01	CAP CER AI 1N 10% T/C B 63V	*F1		265-00010-24	FUSE 8AMP 5*20MM SLOW BLOW
C31		011-54100-01	CAP CER AI 1N 10% T/C B 63V	FC1		340-00010-07	FUSE CLIP PCB MTG 5MM FUSE
C32		011-54100-01	CAP CER AI 1N 10% T/C B 63V	FC2		340-00010-07	FUSE CLIP PCB MTG 5MM FUSE
C33		019-05470-00	CAP MONOLITHIC CER 47N 10% 50V X7R				
C34		025-08100-03	CAP 10M 35V 20% TANT 5MM L/S	IC1		002-00012-40	(S) IC 358 DUAL OP AMP
C35		011-54100-01	CAP CER AI 1N 10% T/C B 63V	IC2		002-00010-81	(S) IC 7815 +15V 1AMP TO -220 3PIN
C37		020-19220-04	CAP 2200M ELEC 35V 16X35 L ESR	IC3		002-00012-40	(S) IC 358 DUAL OP AMP
C38		019-05470-00	CAP MONOLITHIC CER 47N 10% 50V X7R	IC4		002-00016-61	(S) IC 3525A SMPS CTRL
C39		019-05470-00	CAP MONOLITHIC CER 47N 10% 50V X7R	IC5		002-00010-75	(S) IC TSC426 DRIVER INVERTING MOSFET 8PIN
C42		011-54100-01	CAP CER AI 1N 10% T/C B 63V	IC6		002-00010-75	(S) IC TSC426 DRIVER INVERTING MOSFET 8PIN
C43		011-54100-01	CAP CER AI 1N 10% T/C B 63V	IC7		002-00020-58	(S) IC CNX62A OPTOCOUPLER 250VAC APPRVED
C44		025-07100-01	CAP TANT BEAD 1M 35V	IC8		002-00014-15	(S) IC TL431 SHUNT REG TO-92
C45		011-54100-01	CAP CER AI 1N 10% T/C B 63V				
C46		011-54100-01	CAP CER AI 1N 10% T/C B 63V	L1		056-00010-50	CHOKO 16UH +-20% DIFF MODE
C49		019-05470-00	CAP MONOLITHIC CER 47N 10% 50V X7R	L1A		056-00010-50	CHOKO 16UH +-20% DIFF MODE
C50		025-08100-03	CAP 10M 35V 20% TANT 5MM L/S	L2		056-00010-36	CHOKO FLTR 0.5MH COMM MODE
C51		010-04100-04	CAP CER 1N 10% T/C B 400V	L3		056-00021-20	IND FXD 2MH 5AMP TOROIDAL
C54		011-54100-01	CAP CER AI 1N 10% T/C B 63V	L4		065-00010-11	BEAD FERRITE 4S3 3*1*4MM RED
C55		019-05470-00	CAP MONOLITHIC CER 47N 10% 50V X7R	L5		065-00010-11	BEAD FERRITE 4S3 3*1*4MM RED
C56		025-08100-03	CAP 10M 35V 20% TANT 5MM L/S	L6		069-00010-29	TOROID CORE FERRITE TN14/9/5 4A11 x5
C57		025-08100-03	CAP 10M 35V 20% TANT 5MM L/S	L7		065-00010-11	BEAD FERRITE 4S3 3*1*4MM RED
C59		011-54100-01	CAP CER AI 1N 10% T/C B 63V	L8		065-00010-11	BEAD FERRITE 4S3 3*1*4MM RED
C60		017-15470-01	CAP CER SURFACE BARRIER 47N 20% 50V	L9		065-00010-04	BEAD FERRITE F8 4X2X5MM
C61		025-08100-03	CAP 10M 35V 20% TANT 5MM L/S	L10		065-00010-04	BEAD FERRITE F8 4X2X5MM
C62		019-05470-00	CAP MONOLITHIC CER 47N 10% 50V X7R	L12		065-00010-08	BEAD FERRITE 4S3 3*0.7*10MM RED
C63		022-57100-02	CAP MYLAR AI 1M 20% 50V POTTED	L13		065-00010-08	BEAD FERRITE 4S3 3*0.7*10MM RED
C65		020-09470-07	CAP 470M 16V 20% ELEC VERT 8*20 3.5MM L/S LO-ESR	L14		065-00010-08	BEAD FERRITE 4S3 3*0.7*10MM RED
				L15		065-00010-08	BEAD FERRITE 4S3 3*0.7*10MM RED
C66		024-14470-01	CAP METAL POLYPR RADL 4N7 10% 400VAC				
C67		024-14470-01	CAP METAL POLYPR RADL 4N7 10% 400VAC				
*C68		021-19330-02	CAP 3300M 16V ELEC 13*40 VERT				
*C69		021-19330-02	CAP 3300M 16V ELEC 13*40 VERT				
*C70		021-19330-02	CAP 3300M 16V ELEC 13*40 VERT				
*C71		021-19330-02	CAP 3300M 16V ELEC 13*40 VERT				
*C72		021-19330-02	CAP 3300M 16V ELEC 13*40 VERT				
*C73		021-19330-02	CAP 3300M 16V ELEC 13*40 VERT				
C74		022-05470-04	CAP MYLAR 47N +-20% 250VAC APPROVED				
C75		022-05470-04	CAP MYLAR 47N +-20% 250VAC APPROVED				
C78		020-09820-01	CAP 820M 16V ELECT 10X25MM				
C79		015-25100-08	CAP CER 0805 CHIP 10N 10% X7R 50V	*PL2		240-00020-72	HEADER 2 WAY PCB MTG ULTREX
C80		010-05100-09	CAP CER 10N +-20% 250VAC RATED				
C81		010-05100-09	CAP CER 10N +-20% 250VAC RATED	*Q1		000-00012-61	(S) XSTR MTH7N50 NCHAN PWR MOS 7A 500V
C82		010-04100-04	CAP CER 1N 10% T/C B 400V	*Q2		000-00012-61	(S) XSTR MTH7N50 NCHAN PWR MOS 7A 500V
C83		015-06100-08	CAP CER 1206 CHIP 100N 10% X7R 50V	Q3		000-50011-30	(S) XSTR AI BC557B PNP TO-92 AF S/SIG
C84		019-05470-00	CAP MONOLITHIC CER 47N 10% 50V X7R	Q4		000-50011-10	(S) XSTR AI BC547B NPN TO-92 AF S/SIG
C85		011-52330-01	CAP CER AI 33P 5% N150 50/63V	Q6		000-00010-66	(S) XSTR BC337 NPN AF PWR TO92
C86		022-54100-10	CAP MYLAR AI 1N 5% 63V POTTED	Q7		000-50011-30	(S) XSTR AI BC557B PNP TO-92 AF S/SIG
C87		022-54220-10	CAP MYLAR AI 2N2 5% 63V POTTED	Q8		000-50011-30	(S) XSTR AI BC557B PNP TO-92 AF S/SIG
C88		022-55470-10	CAP MYLAR AI 47N 5% 63V POTTED	Q9		000-00010-66	(S) XSTR BC337 NPN AF PWR TO92
C89		011-52220-01	CAP CER AI 22P 5% N150 50/63V	Q10		000-50011-10	(S) XSTR AI BC547B NPN TO-92 AF S/SIG
C90		010-04100-04	CAP CER 1N 10% T/C B 400V	Q11		000-50011-10	(S) XSTR AI BC547B NPN TO-92 AF S/SIG
C91		010-04100-04	CAP CER 1N 10% T/C B 400V	Q12		000-50011-10	(S) XSTR AI BC547B NPN TO-92 AF S/SIG
C92		010-04220-09	CAP CER 2N2 10% 250VAC APPROVED	Q13		000-50011-10	(S) XSTR AI BC547B NPN TO-92 AF S/SIG
C93		010-04220-09	CAP CER 2N2 10% 250VAC APPROVED				
C95		011-54100-01	CAP CER AI 1N 10% T/C B 63V	R1		030-08100-31	RES M/F 10M 3.5KV VR37 10*4MM
C96		022-56100-10	CAP MYLAR AI 100N 5% 63V POTTED	R2		049-00275-40	VARISTOR 275V AC 140JOULES 20MM DIA.
C98		025-08100-03	CAP 10M 35V 20% TANT 5MM L/S	R3		035-02100-93	RES WIRE WOUND 10E 5W 19X8MM
C99		011-52220-01	CAP CER AI 22P 5% N150 50/63V	R4		032-35470-00	RES M/F PWR 47K 5% 1W 12X4.5MM
C100		011-03100-26	CAP CER 100P 5% N750 50/63V	R5		030-56270-20	RES FILM AI 270K 5% 0.4W 4X1.6MM
C102		010-03220-09	CAP CER 220P +-10% 250 VAC APPROVED	R6		030-56390-20	RES FILM AI 390K 5% 0.4W 4X1.6MM
C104		011-54100-01	CAP CER AI 1N 10% T/C B 63V	R7		032-35470-00	RES M/F PWR 47K 5% 1W 12X4.5MM
*C112		010-04470-09	CAP CERAMIC 4N7 +-20% 250VAC APPROVED	R8		030-55680-20	RES FILM AI 68K 5% 0.4W 4X1.6MM
*C113		010-04470-09	CAP CERAMIC 4N7 +-20% 250VAC APPROVED	R9		030-55470-20	RES FILM AI 47K 5% 0.4W 4X1.6MM
*C120		010-04100-04	CAP CER 1N 10% T/C B 400V	R11		032-33100-02	RES M/F PWR 100E 5% 6W 33X9MM
*C121		010-04100-04	CAP CER 1N 10% T/C B 400V	*R12		030-53100-20	RES FILM AI 100E 5% 0.4W 4X1.6MM
				R13A		030-52680-20	RES FILM AI 68E 5% 0.4W 4X1.6MM
D1		001-00012-30	(S) DIODE 6A6 MR 756 BY214-600 6A/600V	R13B		030-54150-20	RES FILM AI 1K5 5% 0.4W 4X1.6MM
D2		001-00012-30	(S) DIODE 6A6 MR 756 BY214-600 6A/600V	R14		030-54150-20	RES FILM AI 1K5 5% 0.4W 4X1.6MM
D3		001-00012-30	(S) DIODE 6A6 MR 756 BY214-600 6A/600V	R17		030-52220-20	RES FILM AI 22E 5% 0.4W 4X1.6MM
D4		001-00012-30	(S) DIODE 6A6 MR 756 BY214-600 6A/600V	R18		030-54120-20	RES FILM AI 1K2 5% 0.4W 4X1.6MM
D5		001-50012-05	(S) DIODE AI 1N4531 SI SMALL SIG	R19		030-52220-20	RES FILM AI 22E 5% 0.4W 4X1.6MM
D6		001-50012-05	(S) DIODE AI 1N4531 SI SMALL SIG	R20		030-54120-20	RES FILM AI 1K2 5% 0.4W 4X1.6MM

Note: Fit L4 & L5 On Leads Of C20
 Fit L7 & L8 On Leads Of C51
 Fit L9 Over Body Of R17
 Fit L10 Over Body Of R19
 Fit L12 & L13 On Leads Of R83
 Fit L14 & L15 On Leads Of R84

Ref	Var	IPN	Description	Ref	Var	IPN	Description
R24		030-54120-20	RES FILM AI 1K2 5% 0.4W 4X1.6MM	T4		053-00010-63	XFMR T4079 MAINS 5VA 18V
RV25		042-03470-06	RES PRESET 470E CARBON 6MM FLAT	*T5		056-00010-49	CHOKO T4080 T808 DIFFNL MODE ETD39
R26		030-53680-20	RES FILM AI 680E 5% 0.4W 4X1.6MM	T6		056-00010-38	CHOKO T4071 T807-808 DIFFNL MODE
R27		030-54180-20	RES FILM AI 1K8 5% 0.4W 4X1.6MM				
R28		030-53820-20	RES FILM AI 820E 5% 0.4W 4X1.6MM	TC1		239-00010-06	SW THERM PEPI 100C BARE TERML.C/W SLEEVE
R29		030-54270-20	RES FILM AI 2K7 5% 0.4W 4X1.6MM				
R30		030-55100-20	RES FILM AI 10K 5% 0.4W 4X1.6MM				
R32		030-56100-20	RES FILM AI 100K 5% 0.4W 4X1.6MM				
R33		030-54100-20	RES FILM AI 1K 5% 0.4W 4X1.6MM				
R34		030-55100-20	RES FILM AI 10K 5% 0.4W 4X1.6MM				
R35		030-55100-20	RES FILM AI 10K 5% 0.4W 4X1.6MM				
R36		030-55150-20	RES FILM AI 15K 5% 0.4W 4X1.6MM				
R37		030-57100-20	RES FILM AI 1M 5% 0.4W 4X1.6MM				
R38		030-55100-20	RES FILM AI 10K 5% 0.4W 4X1.6MM				
R39		030-54390-20	RES FILM AI 3K9 5% 0.4W 4X1.6MM				
R40		030-54820-20	RES FILM AI 8K2 5% 0.4W 4X1.6MM				
R41		030-54680-20	RES FILM AI 6K8 5% 0.4W 4X1.6MM				
R43		030-55470-20	RES FILM AI 47K 5% 0.4W 4X1.6MM				
R44		030-55100-20	RES FILM AI 10K 5% 0.4W 4X1.6MM				
R45		030-56100-20	RES FILM AI 100K 5% 0.4W 4X1.6MM				
R46		030-55100-20	RES FILM AI 10K 5% 0.4W 4X1.6MM				
R47		030-52220-20	RES FILM AI 22E 5% 0.4W 4X1.6MM				
R48		030-55150-20	RES FILM AI 15K 5% 0.4W 4X1.6MM				
R49		049-00140-10	VARIATOR 140VRMS 180VDC 42 JOULES				
R50		030-54220-20	RES FILM AI 2K2 5% 0.4W 4X1.6MM				
R51		030-55100-20	RES FILM AI 10K 5% 0.4W 4X1.6MM				
R52		030-56180-20	RES FILM AI 180K 5% 0.4W 4X1.6MM				
R53		030-55330-20	RES FILM AI 33K 5% 0.4W 4X1.6MM				
R54B		030-55330-20	RES FILM AI 33K 5% 0.4W 4X1.6MM				
R55		045-05100-01	RES NTC 10K 5% 5MM DISC				
R56		030-55100-20	RES FILM AI 10K 5% 0.4W 4X1.6MM				
R57		030-55270-20	RES FILM AI 27K 5% 0.4W 4X1.6MM				
R58		030-55100-20	RES FILM AI 10K 5% 0.4W 4X1.6MM				
R59		030-57100-20	RES FILM AI 1M 5% 0.4W 4X1.6MM				
R60		030-55100-20	RES FILM AI 10K 5% 0.4W 4X1.6MM				
R61		030-57100-20	RES FILM AI 1M 5% 0.4W 4X1.6MM				
R62		030-54680-20	RES FILM AI 6K8 5% 0.4W 4X1.6MM				
R63		030-52330-20	RES FILM AI 33E 5% 0.4W 4X1.6MM				
R64		030-52220-20	RES FILM AI 22E 5% 0.4W 4X1.6MM				
R65		030-54150-20	RES FILM AI 1K5 5% 0.4W 4X1.6MM				
R66		030-54150-20	RES FILM AI 1K5 5% 0.4W 4X1.6MM				
R67		030-55100-20	RES FILM AI 10K 5% 0.4W 4X1.6MM				
R68		030-56100-20	RES FILM AI 100K 5% 0.4W 4X1.6MM				
R69		030-53680-20	RES FILM AI 680E 5% 0.4W 4X1.6MM				
R70		030-53270-20	RES FILM AI 270E 5% 0.4W 4X1.6MM				
R71		030-54330-20	RES FILM AI 3K3 5% 0.4W 4X1.6MM				
R72		030-52100-20	RES FILM AI 10E 5% 0.4W 4X1.6MM				
R73		030-55100-20	RES FILM AI 10K 5% 0.4W 4X1.6MM				
R74		030-54470-20	RES FILM AI 4K7 5% 0.4W 4X1.6MM				
R75		030-54470-20	RES FILM AI 4K7 5% 0.4W 4X1.6MM				
R76		030-54680-20	RES FILM AI 6K8 5% 0.4W 4X1.6MM				
R79A		032-32100-01	RES M/F PWR 10E 2.5W 17X5MM				
R79B		032-32100-01	RES M/F PWR 10E 2.5W 17X5MM				
R80		030-54100-20	RES FILM AI 1K 5% 0.4W 4X1.6MM				
R80A		030-52100-20	RES FILM AI 10E 5% 0.4W 4X1.6MM				
R80B		030-54180-20	RES FILM AI 1K8 5% 0.4W 4X1.6MM				
*R81		032-33120-01	RES M/F PWR 120E 5% 17*5 2.5 W				
RV81		042-05100-06	RES PRESET 10K CARBON 6MM FLAT				
*R82		032-33120-01	RES M/F PWR 120E 5% 17*5 2.5 W				
R83		030-52220-20	RES FILM AI 22E 5% 0.4W 4X1.6MM				
R84		030-52220-20	RES FILM AI 22E 5% 0.4W 4X1.6MM				
R85		030-08100-31	RES M/F 10M 3.5KV VR37 10*4MM				
R86		030-55470-20	RES FILM AI 47K 5% 0.4W 4X1.6MM				
R87		030-53100-20	RES FILM AI 100E 5% 0.4W 4X1.6MM				
R88		030-54100-20	RES FILM AI 1K 5% 0.4W 4X1.6MM				
R89		030-54470-20	RES FILM AI 4K7 5% 0.4W 4X1.6MM				
R90		030-55470-20	RES FILM AI 47K 5% 0.4W 4X1.6MM				
R91		030-54100-20	RES FILM AI 1K 5% 0.4W 4X1.6MM				
RV92		042-03470-06	RES PRESET 470E CARBON 6MM FLAT				
R93		030-53820-20	RES FILM AI 820E 5% 0.4W 4X1.6MM				
R94		030-54120-20	RES FILM AI 1K2 5% 0.4W 4X1.6MM				
R95		030-55680-20	RES FILM AI 68K 5% 0.4W 4X1.6MM				
R96		030-54680-20	RES FILM AI 6K8 5% 0.4W 4X1.6MM				
R98		030-55100-20	RES FILM AI 10K 5% 0.4W 4X1.6MM				
R99		030-54100-20	RES FILM AI 1K 5% 0.4W 4X1.6MM				
R100		030-55560-20	RES FILM AI 56K 5% 0.4W 4X1.6MM				
R101		030-55560-20	RES FILM AI 56K 5% 0.4W 4X1.6MM				
R102		030-56470-20	RES FILM AI 470K 5% 0.4W 4X1.6MM				
R103		030-55560-20	RES FILM AI 56K 5% 0.4W 4X1.6MM				
R104		030-55100-20	RES FILM AI 10K 5% 0.4W 4X1.6MM				
R105		030-54100-20	RES FILM AI 1K 5% 0.4W 4X1.6MM				
R106		030-53100-20	RES FILM AI 100E 5% 0.4W 4X1.6MM				
R107		030-53100-20	RES FILM AI 100E 5% 0.4W 4X1.6MM				
RLY1		237-00010-30	RELAY 12V COIL 240V 10A SPDT				
SW1		233-00010-07	SWITCH DPDT 115/230V 6PIN				
SW2		232-00020-28	PUSH SWITCH PCB MTG				
SK-3		240-00010-23	PLUG 3 PIN 10AMP 250V PCB MTG				
SK-4		240-04030-06	TRMNL BLOCK 1WAY PC MT PHOENIX				
SK-5		240-04030-06	TRMNL BLOCK 1WAY PC MT PHOENIX				
SK-6		240-04030-07	TERML BLK PCB MTG 1WAY FRT 2.5H/SA10				
SK-7		240-04030-07	TERML BLK PCB MTG 1WAY FRT 2.5H/SA10				
SK-8		240-04030-07	TERML BLK PCB MTG 1WAY FRT 2.5H/SA10				
T1		053-00010-58	XFMR T4073 T807/808 SWITCHING				
T2		053-00010-59	XFMR T4074 T807/808 CURRENT SENSE				
T3		053-01060-02	XFMR T4075 T807/808 MOSFET DRIVE				

T808 Mechanical & Miscellaneous Parts (220-01183-07)

IPN	Legend	Description	IPN	Legend	Description
200-00010-35		WIRE T/C 1.5MM ² /1.4MM For L6. 35mm	349-00020-08	13	SCREW TAPTITE 4-40X3/8IN CSK POZI BZ Covers to rails x16
201-00051-15		WIRE APPLC 1MM ² GREEN HI TEMP PVC85 For Earth Lead	349-00020-34	14	SCREW M3*12 PAN POZI TAPTITE BZ P.C.B. to rails x6
201-00060-09		WIRE REMIT 0.8MM ² PVC WHITE For Cut Out Switch on T1	352-00010-08	15	NUT M3 COLD FORM HEX ST BZ D43 x1, Mains Socket x2, IC2 x1, Fan x4, Mounting Kit x2 (in bag)
209-00010-26		TAPE COPPER 19MM * 0.08MM SCOTCH 1181 For taping switch to T1	352-00010-29	16	NUT M4 NYLOC HEX Handle x2
220-01183-07	1	PCB T807/T808 SMPS 2 OUNCE COPPER	353-00010-10		WASHER M3 FLAT 7MM*0.6MM ST BZ Mounting Kit x2 (in bag)
240-02010-22		SKT MAINS 3PIN FLEX 2M/10A	353-00010-12	17	WASHER M3 SPRING BZ OR Z/C D43 x1, Mains Socket x2, IC2 x1, Fan x4
*240-04020-72		SOCKET HOUSING 2 WAY MTG ULTREX To connect fan to PL-2	356-00020-06		RECEPTL 6.3MM QUICK CONN FLARED INS For Earth Lead
*240-04020-76		SKT RECEPTACLES WIRE CRIMP ULTREX To connect fan to PL-2	356-00020-07		RECEPTL M3.5QUICK CONN M3.5 OPEN END For Earth Lead
240-06010-27		BLANKING PLATE 2.5MM GREEN Fitted to SK-8	356-00020-21		TAB 6.3MM RT ANGLE SPADE CAR QCK CONN PCB Mounted Earth Connector
*258-00010-04	22	FAN 12V 40 x 40 x 20 TUBE AXIAL Mount to rear panel	362-00010-13	18	BUSH INSULATING 1.1MM TOP HAT D43 Mounting x1
303-23128-02	2	COVR SIDE A2M2403/2 T807/808 COMP SCRNB	362-01024-00	19	INSULATOR 54*30 AS PER DRWG A4M2431 Q1/Q2 x1, D43 x1
306-01010-00	3	FERRULE A4M948 HANDLE FXD EQUIP Place on handle x2	362-01052-00	20	XSTR CLAMPING BRKT T807/808 A4M2407 Bracing bracket for Q1 & Q2 x1
307-02029-00		GUIDE REAR T807/808 A3M2409 Packed in box x2	365-00011-54		LABEL WHITE RW 1556/2 90X24MM SPEC AD For outside of box
308-01007-00	4	HANDLE A4M949 FXD EQUIP Front Panel	365-00013-59		LABEL T807/808 HI VOLT WARNING A4A651
308-13088-00		HSINK CLIP ON 14 OR 16 DIP INT CCTS ICs 4, 5 & 6	365-00100-05		LABEL BLANK 50X9MM S/A METLSD POLYES Mounting Kit x1 (in bag) NB/ Label is to be placed over top of screened version on panel if power supply is to be 115 Volts
308-13091-00		HSINK PCB MTG TO-220 Heatsink for IC2 mounting to PCB	365-01391-01		LABEL BLNK 30X10.8MM TAMPERMARK VOID Ser No x1, Job No x1, Rev No x1 & Elec Insp x1
311-00010-39		KNOB RED PLASTIC ROUND Pushes on to SW2	365-01500-00		LABEL CE CONFORMITY 12*24MM
316-06399-01	5	PNL FRT COMPL T807 A3M2405/2	369-00020-52		TAPE ELECT INSULATION UL APPRVD 130°C For T4
316-21176-02	6	PNL REAR A3M2427/2 T807 COMPL SCRNB	399-00010-10		RUBBER BAND NO 33
318-01018-00	7	RAIL CHASSIS T807/808 A3M2404 Attached to PCB x2	399-00010-51		BAG PLASTIC 75*100MM For Mounting Kit
319-01189-01		SHIELD T807/808 MAINS FILTER Fitted to underside of board across output	400-00020-01		SLEEVING 0.7MM SIL RUBBER For Legs of R13A, R47 & R64
319-30030-01	8	SPACER A4M1115 T807/808 Between P.C.B. & Rails x6	400-00020-03		SLEEVING 1MM SIL RUBBER For Legs of R3, R11, 79A, R79B, R81 & R82
319-40012-00		EARTH STRAP DC T807/808 Fitted to underside of board across input	400-00020-05		SLEEVING 1.5MM SIL RUBBER
345-00040-06	9	SCREW M3*8MM PAN POZI ST BZ SK-3 x2, Mounting Kit x2 (in bag)	400-00020-07		SLEEVING 2MM SIL RUBBER Goes over wire on L6.
345-00040-12		SCREW M3X10MM CSK POZI ST BZ Mounting Kit x6 (in bag)	410-01081-00		CRTN T800 KIWI REF22860 402X192X66MM
345-00040-17	10	SCREW M3*16MM CSK POZI ST BZ D43 x1	410-01082-00		CRTN 10 T800 KIWI REF24417 423X410X360
*345-00040-19	21	SCREW M3*25MM PAN POZI ST BZ Fan x4			
345-00040-24	11	SCREW M3X20MM CSK POZI ST BZ Q1/Q2 Bracing Bracket x1			
349-00020-07	12	SCREW 4-40 X 5/16 PAN POZI TAPTITE BLACK Front x4, Rear x4, Cover x4			



T808
Mechanical Assembly
220-01183-07

T808 Mechanical Assembly Exploded View

***replace A4 pages B8.2.53/B8.2.54 with A3
pages B8.2.53/B8.2.54, file name 800b84b.100***

T807/808 Grid Reference Index (IPN 220-01183-07)

How To Use This Grid Reference Index

The first digit in the PCB layout reference is a "1" or "2", indicating the top or bottom side layout respectively, and the last two characters give the location of the component on that diagram.

The first digit in the circuit diagram reference is the sheet number, and the last two characters give the location of the component on that sheet.

Device	PCB	Circuit	Device	PCB	Circuit	Device	PCB	Circuit	Device	PCB	Circuit
C1	1:U10	1-C6	*C72	1:Q3	1-M8	D38	1:C10	1-J6	R6	1:L10	1-G5
C2	1:U12	1-C5	*C73	1:R3	1-N8	D41	1:G4	1-J8	R7	1:M10	1-G5
C3	1:T11	1-C6	C74	1:M2	1-L9	*D43	1:G2	1-H9	R8	1:L10	1-G5
C4	1:P11	1-D6	C75	1:N2	1-L8			1-H9	R9	1:G10	1-H5
C5	1:Q10	1-D6	C78	1:W3	1-Q9	*FAN	1:Z8	1-J0	R11	1:D2	1-H6
C5A	1:Q10	1-D6	C79	2:Y2	1-R9	*F1	1:V10	1-B6	*R12	1:C7	1-J4
C6	1:Q12	1-D5	C80	1:V2	1-P9	HS	1:P7	2-C0	R13A	1:B10	1-K5
C6A	1:Q12	1-D5	C81	1:V4	1-P8	IC1	1:G8	1-M4	R13B	1:B11	1-K5
*C9	1:K9	1-F6	C82	1:Y4	1-R7			1-Q3	R14	1:C11	1-K5
*C10	1:H11	1-G6	C83	2:W3	1-P8			1-M0	*R17	1:F12	1-M5
*C11	1:H9	1-F5	C84	1:R7	1-N6	IC2	1:P7	1-D3	R18	1:F12	1-L5
*C12	1:K11	1-G5	C85	1:S4	1-P6	IC3	1:U5	1-G2	*R19	1:D12	1-M5
*C13	1:J8	1-H5	C86	1:N4	1-P5			1-G0	R20	1:D12	1-L4
*C14	1:L8	1-H6	C87	1:N5	1-P5			1-D1	R24	1:E8	1-K4
*C15	1:D3	1-H5	C88	1:N5	1-Q5	IC4	1:Q6	1-L0	RV25	1:F8	1-K4
C16	1:B11	1-K5	C89	1:N5	1-R5	IC5	1:R5	1-M1	R26	1:E8	1-K3
C17	1:C8	1-J4	C90	1:X4	1-R6			1-N1	R27	1:G6	1-L4
C18	1:C11	1-K6	C91	1:X4	1-R5			1-L0	R28	1:G6	1-L4
C19	1:G8	1-L6	C92	1:W1	1-R8	IC6	1:R6	1-M1	R29	1:H6	1-L3
C20	1:C12	1-K4	C93	1:W1	1-R8			1-N1	R30	1:G7	1-M4
C21	1:D8	1-J3	C95	1:T5	1-P8			1-L0	R32	1:G6	1-M4
C22	1:G6	1-L4	C96	1:N6	1-J1	IC7	1:S6	1-N6	R33	1:G7	1-M3
C23	1:F6	1-M4	C98	1:N7	1-G1	IC8	1:S4	1-P5	R34	1:G7	1-M3
C24	1:F7	1-M3	C99	1:P7	1-K1	I/OPAD1	1:V5	1-F2	R35	1:G8	1-N3
C25	1:N6	1-M2	C100	1:G7	1-M4	I/OPAD2	1:V5	1-F2	R36	1:M6	1-M3
C26	1:M6	1-M2	C102	1:X11	1-B6	L1	1:X12	1-A5	R37	1:M6	1-N2
C27	1:L6	1-N2	C104	1:H8	1-P1	L1A	1:X10	1-A6	R38	1:M6	1-N2
C31	1:E7	1-Q3	*C112	1:U10	1-C6	L2	1:V11	1-B6	R39	1:C11	1-J6
C32	1:G8	1-Q3	*C113	1:U12	1-C5	L3	1:S11	1-C6	R40	1:C10	1-K6
C33	1:H8	1-M0	*C120	1:X10	1-A6	L4	1:C12	1-K3	R41	1:H7	1-N3
C34	1:H8	1-N0	*C121	1:W12	1-A5	L5	1:C12	1-K4	R43	1:C7	1-K6
C35	1:C12	1-Q1	D1	1:N10	1-F6	L6	1:W3	1-Q9	R44	1:G8	1-Q3
C37	1:P9	1-C2	D2	1:N9	1-F6	L7	1:W5	1-D0	R45	1:C10	1-K6
C38	1:N7	1-D2	D3	1:N8	1-F6	L8	1:W5	1-D0	R46	1:G7	1-K0
C39	1:P7	1-E2	D4	1:M9	1-F6	L9	1:F11	1-M5	R47	1:G6	1-N0
C42	1:W7	1-E2	D5	1:D7	1-J4	L10	1:D11	1-M5	R48	1:F7	1-P3
C43	1:V5	1-F2	D6	1:D8	1-J4	L12	1:T4	1-Q8	R49	1:N10	1-B2
C44	1:U5	1-F2	D7	1:C8	1-J3	L13	1:T4	1-Q7	R50	1:V6	1-E2
C45	1:W6	1-F1	D8	1:C7	1-J3	L14	1:T4	1-Q7	R51	1:W7	1-F2
C46	1:W6	1-F0	D11	1:C12	1-H2	L15	1:T4	1-Q7	R52	1:V5	1-G3
C49	1:U6	1-D1	D12	1:B11	1-K5	PL-1	1:D9	1-E0	R53	1:U7	1-F2
C50	1:V6	1-E1	D13	1:A11	1-K5	*PL-2	1:T6	1-H0	R54B	1:U5	1-F2
C51	1:W5	1-D0	D14	1:G11	1-L6	*Q1	1:G12	1-L5	R55	1:W6	1-E1
C54	1:P5	1-K0	*D15	1:G12	1-L6	*Q2	1:E12	1-L4	R56	1:W6	1-F0
C55	1:Q5	1-K2	*D18	1:E12	1-L5	Q3	1:H6	1-L3	R57	1:W6	1-F1
C56	1:P4	1-K2	D19	1:E11	1-L4	Q4	1:M6	1-N2	R58	1:W6	1-F0
C57	1:Q5	1-K2	D20	1:H7	1-N4	Q6	1:U6	1-H0	R59	1:V5	1-G1
C59	1:P6	1-K1	D21	1:H7	1-P4	Q7	1:B11	1-J2	R60	1:F7	1-P3
C60	1:Q5	1-M2	D22	1:N6	1-M3	Q8	1:T5	1-N7	R61	1:G8	1-Q3
C61	1:Q7	1-K0	D23	1:A12	1-R2	Q9	1:H5	1-K8	R62	1:U6	1-G0
C62	1:Q6	1-K0	D24	1:Q8	1-C2	Q10	1:B12	1-R2	R63	1:U6	1-H0
C63	1:H7	1-N1	D25	1:P8	1-C2	Q11	1:P6	1-H1	R64	1:V6	1-D1
C65	1:G5	1-K8	D26	1:N8	1-C2	Q12	1:P6	1-H1	R65	1:B11	1-J3
C66	1:G3	1-H8	D27	1:P8	1-C2	Q13	1:M7	1-J1	R66	1:B11	1-J3
C67	1:F3	1-J8	D30	1:U7	1-F3	R1	1:X9	1-A6	R67	1:C11	1-J2
*C68	1:P2	1-L8	D31	1:V6	1-F2	R2	1:N11	1-E6	R68	1:C12	1-Q1
*C69	1:Q2	1-L8	D32	1:A11	1-J2	R3	1:U8	1-E6	R69	1:B12	1-R2
*C70	1:R2	1-M8	D36	1:Q6	1-L1	R4	1:M8	1-G6	R70	1:P5	1-L2
*C71	1:P3	1-M8	D37	1:Q6	1-M1	R5	1:L10	1-G6	R71	1:P6	1-K1

<u>Device</u>	<u>PCB</u>	<u>Circuit</u>	<u>Device</u>	<u>PCB</u>	<u>Circuit</u>	<u>Device</u>	<u>PCB</u>	<u>Circuit</u>	<u>Device</u>	<u>PCB</u>	<u>Circuit</u>
R72	1:P6	1-K1									
R73	1:P4	1-K0									
R74	1:Q6	1-M2									
R75	1:Q6	1-M2									
R76	1:H8	1-Q2									
R79A	1:G2	1-H9									
R79B	1:G2	1-J9									
R80	1:T4	1-J9									
R80A	1:F4	1-J8									
R80B	1:G5	1-K8									
*R81	1:J5	1-K9									
RV81	1:F7	1-P3									
*R82	1:J5	1-K9									
R83	1:T5	1-Q7									
R84	1:T5	1-Q7									
R85	1:T2	1-P9									
R86	1:T4	1-N7									
R87	1:T4	1-P6									
R88	1:S5	1-P6									
R89	1:T4	1-Q6									
R90	1:S4	1-P6									
R91	1:N4	1-N5									
RV92	1:S5	1-Q5									
R93	1:T5	1-Q5									
R94	1:P5	1-Q5									
R95	1:N5	1-Q4									
R96	1:N5	1-R5									
R98	1:U4	1-P7									
R99	1:W4	1-P7									
R100	1:N6	1-H1									
R101	1:Q6	1-H1									
R102	1:N6	1-J1									
R103	1:N5	1-J1									
R104	1:N5	1-J1									
R105	1:M7	1-J1									
R106	1:H7	1-N4									
R107	1:H7	1-P4									
RLY1	1:V8	1-J9									
		1-F6									
SW1	1:N12	1-E5									
		1-A3									
SW2	1:C9	1-J3									
SK-1		1-E0									
SK-2	1:X7	1-H0									
SK-3	1:X10	1-A4									
SK-4	1:X2	1-R9									
SK-5	1:X3	1-R8									
SK-6	1:Y3	1-R6									
SK-7	1:Y3	1-R6									
SK-8	1:Y4	1-R7									
T1	1:C5	1-J5									
T2	1:B8	1-J5									
T3	1:F10	1-M4									
T4	1:S8	1-B2									
*T5	1:K3	1-K8									
T6	1:T3	1-P8									
TAB-1	1:Y8	1-A7									
TC1		1-E3									
TP1	1:N7	1-G6									
TP2	1:G10	1-G5									
TP3	1:D8	1-J4									
TP4	1:L7	1-B0									
TP5	1:C9	1-E3									
TP6	1:K7	1-P1									
TP7	1:J7	1-P1									